



**PCORE**  
ELECTRIC

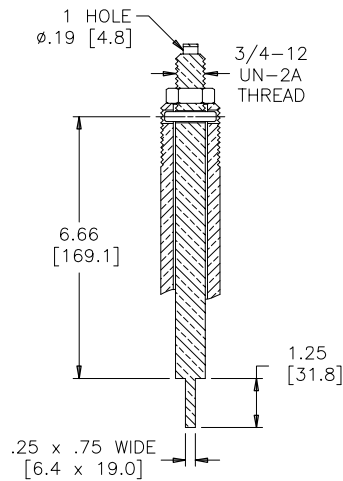
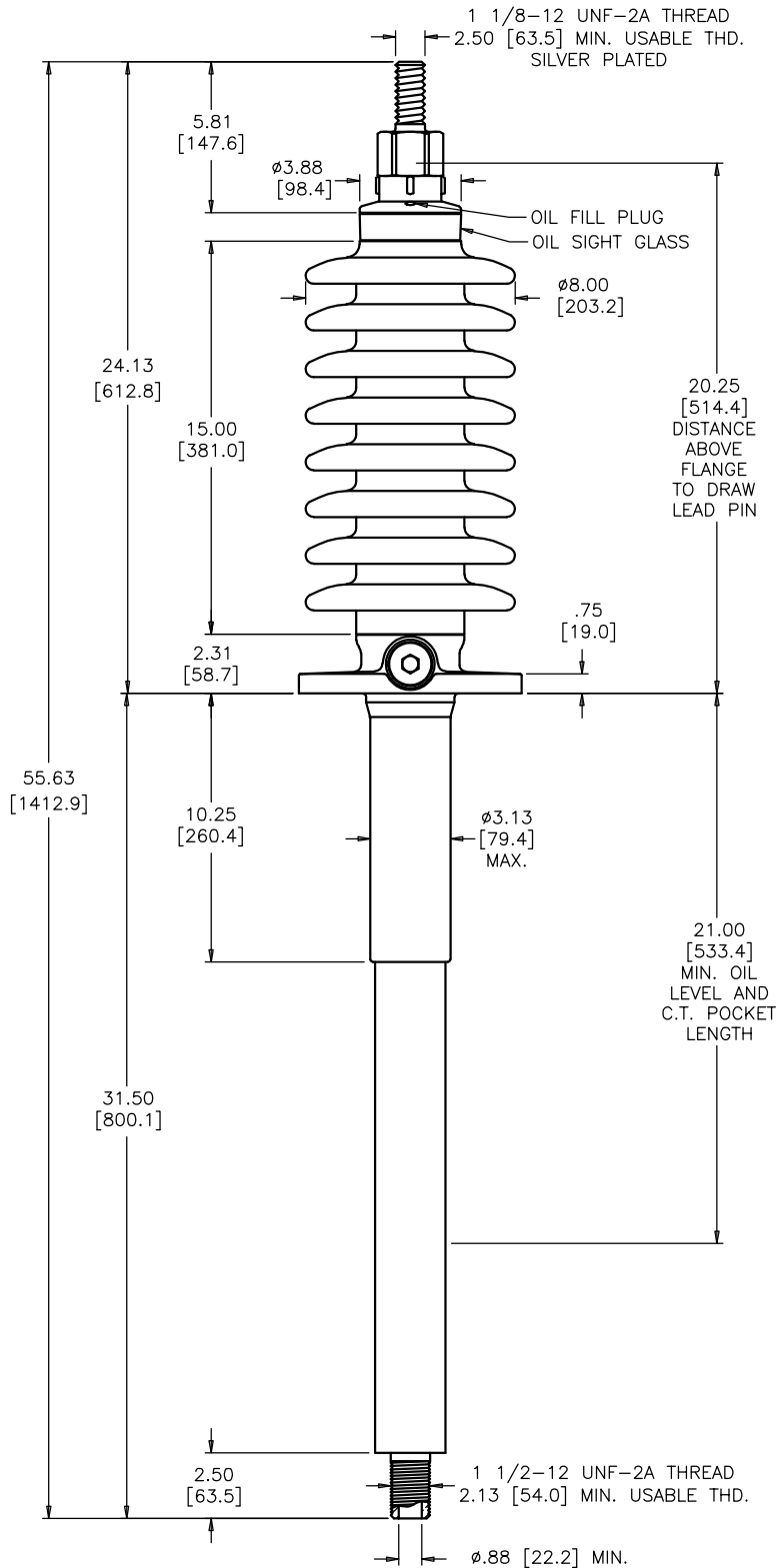
<b>kV CLASS</b>	34.5kV	<b>BIL</b>	200 kV	<b>Uy</b>	22 kV
<b>CURRENT RATING</b>					
400A DRAW LEAD CONN. IN 55°C RISE OIL 1200A BOTTOM CONNECTION IN 55°C RISE OIL					
<b>MIN. CREEP</b>	41.00 [1041.4]	<b>MIN. STRIKE</b>	17.00 [431.8]		
<b>CREEP/L-G</b>	2.06 [52.3]	<b>STD.</b>	IEEE C57.19.00		
PCB CONTENT OF OIL IS LESS THAN 1 ppm					

DWG.	CATALOG NUMBER	GLAZE COLOR
SD	B-89393-320	BROWN
SD	B-89393-320-70	LT. GRAY

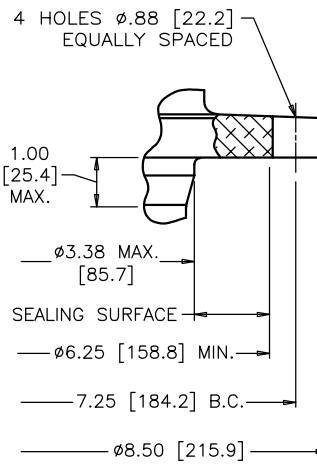
<b>DATE</b>	7-30-04	<b>REV. DATE</b>	1-13-20
<b>MAXIMUM ALTITUDE</b>	10000 ft [3000 m]		
<b>NET WEIGHT</b>	70 lb [32 kg]		
<b>ANGLE OF INCLINATION FROM THE VERTICAL</b>	0° TO 70°		

<b>TITLE</b>	IEEE STANDARD BUSHING PRC BUSHING 1 1/8-12 THREAD TOP TERMINAL 6.00 [152.4] LONGER DRAW LEAD TERMINAL
--------------	---

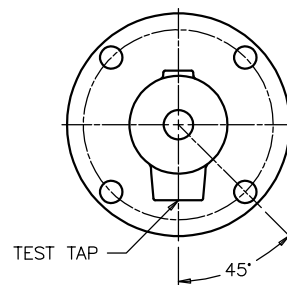
NOTE: ACTUAL DRAW-LEAD CURRENT RATING IS DETERMINED BY CABLE SIZE



**DRAW LEAD ASSEMBLY**



**MOUNTING FLANGE DETAIL**



**FLANGE ALIGNMENT DIAGRAM TOP VIEW**

DIMENSIONS IN INCHES [MILLIMETERS]

REVISION UPDATED FORMAT, PCORE WAS LAPP, NET WEIGHT WAS 69 lb, CREEP/L-G WAS CREEP/Uy, CORRECTED ROUNDING

SCALE 1/5

NOTE TO PURCHASER: ALL SALES OF PCORE PRODUCTS ARE SUBJECT TO OUR STANDARD TERMS AND CONDITIONS AND THE LIMITED WARRANTIES THEREUNDER